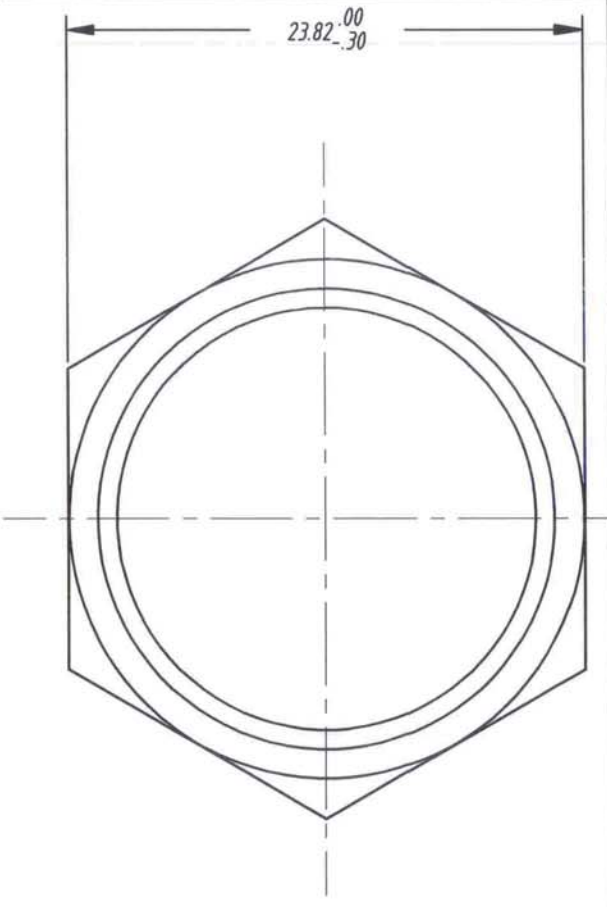
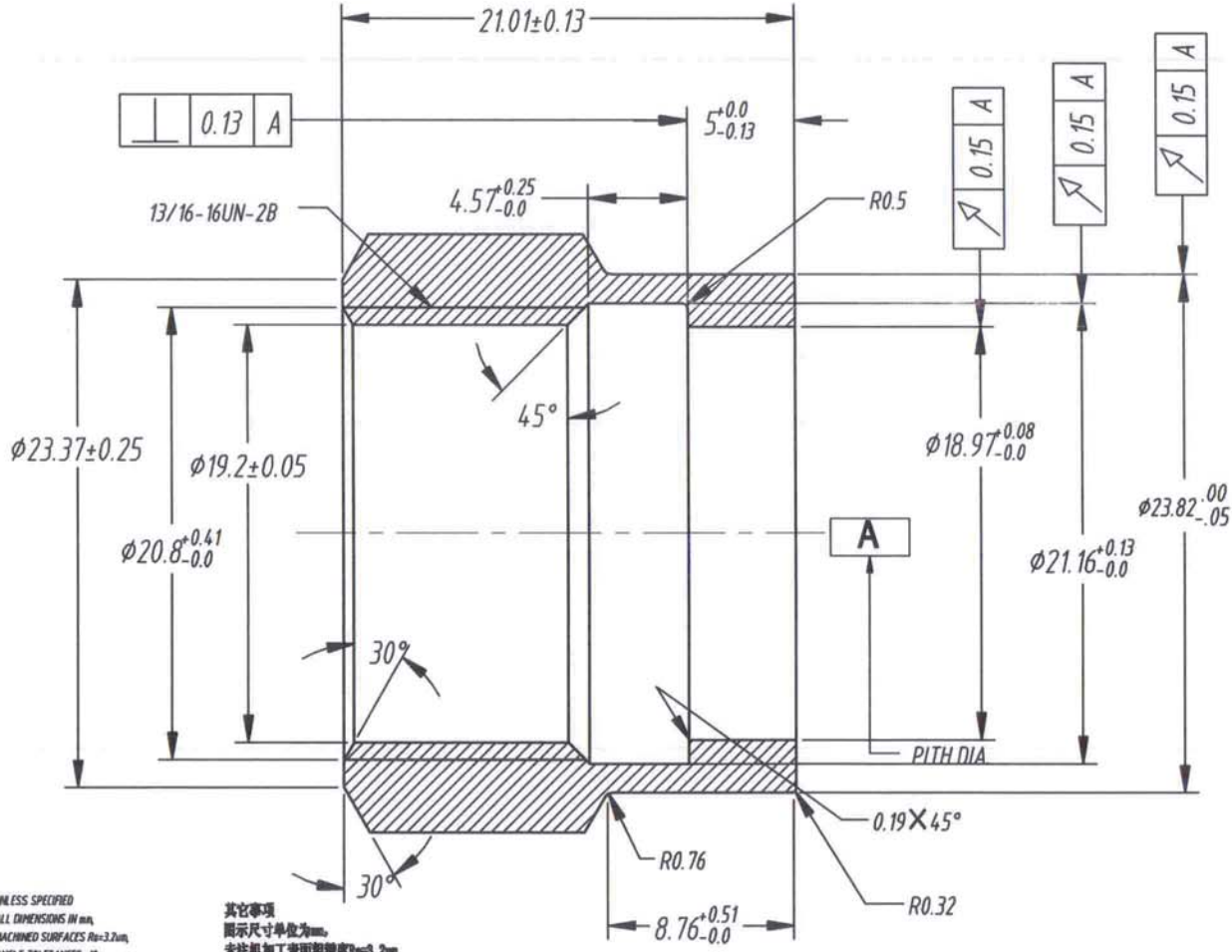


REV 更改号	DATE 日期	REVISION DETAILS 更改内容	APPD 审核并批准



UNLESS SPECIFIED
ALL DIMENSIONS IN mm,
MACHINED SURFACES Ra=3.2um,
ANGLE TOLERANCES ±1°,
Other tolerance except angles,
in accordance with
GB/T1804-2000(ISO2768-1)-m and
GB/T1184-1996(ISO 2768-2)-m

其它事项
图示尺寸单位为mm,
未注加工表面粗糙度Ra=3.2um
未注角度公差±1°
其它未注公差(除角度外)均按:
GB/T1804-2000(ISO2768-1)-m 和
GB/T1184-1996(ISO2768-2)-m

材质: 45#

MATERIAL

Chinese steel 45

FINISH

Remove all sharp edges, burrs, Slivers and swarf, break all edges 0.127-0.254mm.
Zinc Plated With Trivalent Chromate Passivation And No Red Corrosion In 96 Hours Salt Spray Test.

去除所有毛刺, 铁屑等残留物, 锐边倒钝0.127-0.254MM
镀锌, 三价铬钝化, 银白色, 96小时盐雾试验无红斑。

[Redacted]

PART NO 零件名	6602-08FS SWIVEL NUT	
SCALE NTS	APPD: 批准: Zhangjian	DRN 制图: WAN QIU
	DATE 日期: 16/06/15	CHK 审核: YB. ZHAN